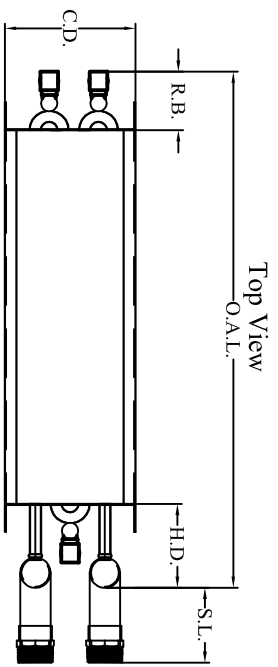
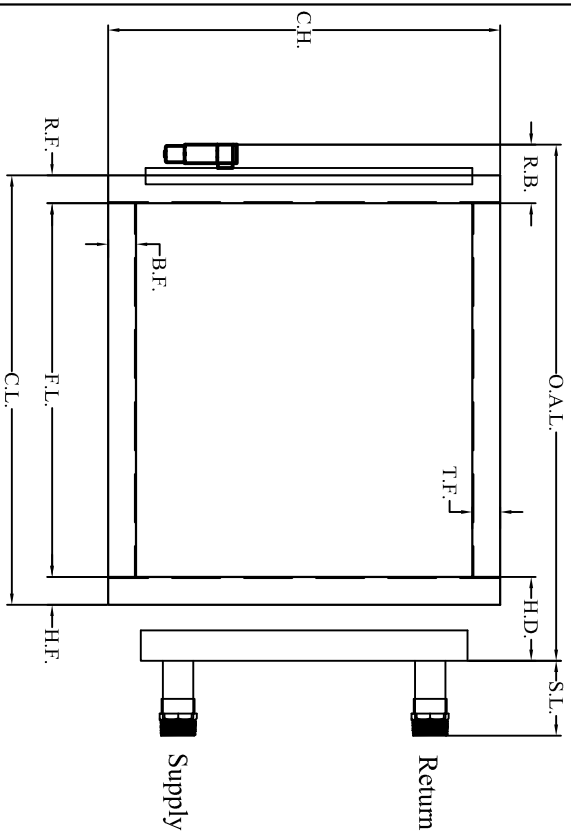


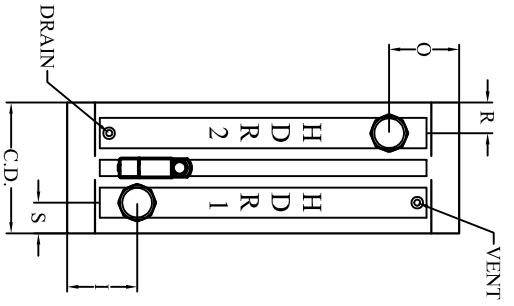
# Water Coil with Freeze Blocks



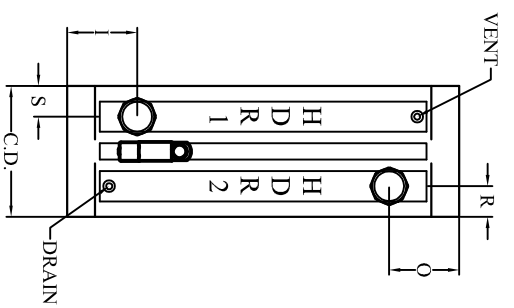
Top View



Front View



Side View



Side View

Coil Tube Face										
Circuiting										
# Feeds # Pass										
# Drop Tubes										

ROWS	FPI	FH	FL	CH	CL	CD	HD	OAL	SL	X	I	S	O	R	T.F.	B.F.	H.F.	R.F.	R.B.	

NOTES: 5/8" and 1/2" Water Coils Max RB = 3.26"

TAG COIL:

W.O.

ITEM

QTY.

REV

MODEL #

Tube Supports Recommended  
For Coils Over 50.00" Long.  
p.s.i. Dry Nitrogen

ALL DIMENSIONS ARE IN INCHES.  
REFER TO DOCUMENT ES-2 FOR  
MODEL NUMBER INFORMATION.

